



- Full keypad or autodial options with remote programming
- Several mounting options
- Robust and weather resistant from IP54 to IP66
- Industry standard robust handset c/w armoured cord
- Non-volatile memory store
- DTMF/LD and ELR/TBR
- Large tactile buttons
- C / BABT compliant (SMART option tested iCTR 37 / CTR 38)
- Optional variant available with SMART (Self Monitoring And Reporting)

Titan brings state of the art design and technology to metal bodied weather and vandal resistant telephones.

The Titan range is designed to meet the acoustic performance, reliability and varying applications demanded by today's markets. They provide solutions to meet the requirements of most customers for 'hot line' telephones, multiple button autodiallers, traditional full keypad telephones and remote programming.

Other features include time out facilities, inductive coupler and microphone muting on autodiallers.

Titan's aluminium body is robust and designed to look good and last longer in hostile outdoor environments where high levels of service delivery are demanded.

Its spring loaded door has a high integrity hinge with options available for various locking mechanisms and a latch open facility. With the door open, Titan has an IP rating of IP65 and with it closed, achieves a rating of IP66. As a face plate version it has an IP rating varying from IP54 to IP65, depending on mounting.

Titan is simple to install and fixings are concealed from view. Cable entries are via water tight glands while push buttons are weather sealed.

Titan Models

Keypad Diallers:

These models are configurable to be fully compatible with most PABX's or PTT networks. Loop disconnect (LD) and Tone dialling (DTMF) systems are internally selectable, as are a variety of recall systems, Time Break Recall (TBR), Earth Loop Recall (ELR) and Hook Flash.

1, 3 & 6 button Autodiallers

These models are programmable with numbers up to 24 digits. A microphone muting facility guards against unauthorised calls made with a portable MF tone pad. To make a call, simply lift the handset and press a single button. The pre-programme number will then dial automatically.



CB Telephone:

This can be used to initiate a PABX 'hotline' or lift handset and wait for reply, where the exchange does the call routing/dialling.



SMART Option:

Smart Monitoring And Reporting Telephone optional variants available, please call.

DAC Telephony

Titan

Metal Bodied Weather Resistant Telephone

TECHNICAL SPECIFICATIONS

Speech:

Transmission to BS6317 : 1982, Part 13, Class A

Dialling Data:

LD to : BS 6305 : 1982, Part 4.4.2

Impulse rate : 10 ips

Mark/space ratio : 2:1

MF: BS6305 : 1982, Part 4.4.3

MF impedance : Class A

MF transient voltage : Class A

Dialling tones meet international standard requirements.

Ringing and Remote Maintenance:

Dual tone ringing, 80 dBa @ 1 metre typical REN 1.

Auto-answer for remote programming: 0 to 15 rings.

Speech disabled during remote programming: call cleared down in favour of user dialling.

Sensing:

Remote sensing of network loop current (2.5 mA resolution).

Keypad can be remote scanned to determine any button press.

Hookswitch:

Electronic with no mechanical moving parts.

Time Out:

CB, 15, 18 button - a fixed call maximum time limit 6-8 minutes from lifting of the handset.

Autodiallers - programmable down the line 1-30 minutes from lifting of the handset.

These facilities can be disabled.

Recall Button:

Internally switchable from Earth Loop Recall, Timed Break Recall or Hook Flash.

Power Supply:

Drawn from telephone line.

Memory (autodiallers):

E² Prom - 10 year retention from programming.

Temperature:

Operating: -20° C to +60° C

Storing: -40° C to +70° C

Relative Humidity:

Up to 95% (non-condensing).

Weather Resistance:

Door open - IP65.

Door closed - IP66.

Casing Material:

Die cast aluminium, epoxy powder coated. Colours yellow or grey or special order.

Handset Material:

Cyclopol (2850) with stainless steel spiral cord.

Keypad:

Weathersealed tactile, silicon.

Weight:

Up to 3.5 kg depending on option.

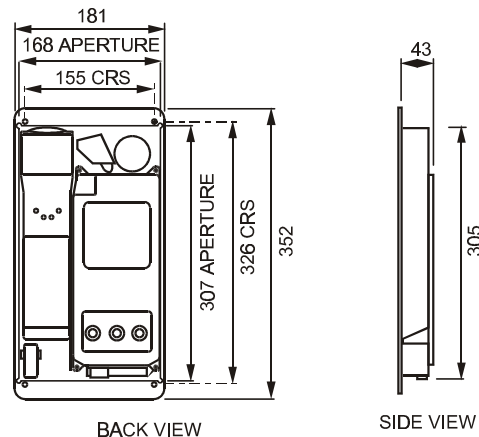
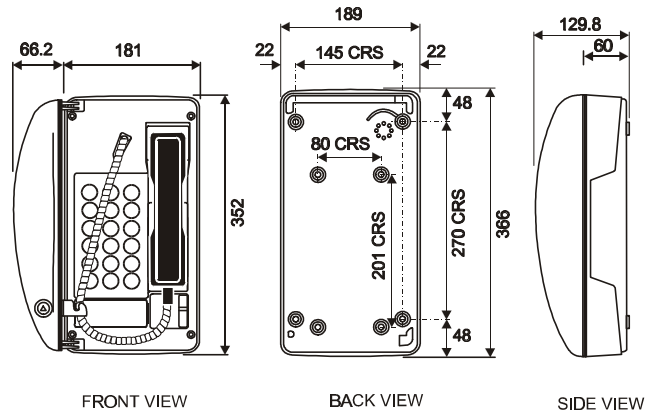
ORDER CODE (for other variants, please call)

15 Button Yellow **2000C2B21111C2A**

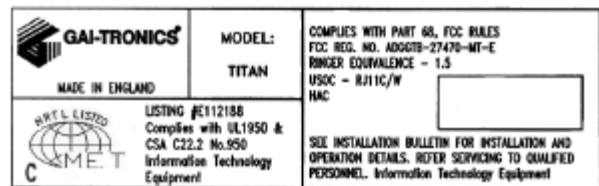
0 Button Yellow **2000L2B31111K2E**

Distributor:

DIMENSIONS:



APPROVALS



GAI-Tronics has been assessed and approved by BAPT as a listed production facility for simple and feature telephones



This mark indicates compliance for inductively coupling to Hearing Aids having a 'T' switch position in accordance with the relevant Ofcom Code of Practice.
 Tested to ETS 300-381 and in accordance with CCITT P37.

For specific country approval, please call

OPTIONAL ACCESSORIES ORDER CODE

Please ask for Brochure B150 or visit www.gai-tronics.co.uk



GAI-Tronics Limited, UK - Tel: +44 (0)1283 500500 - Fax: +44 (0)1283 500400 - www.gai-tronics.co.uk

GAI-Tronics Corporation, USA - Tel: +1(610) 777 1374 - Toll Free: 800 492 1212 - Fax: +1(610) 775 6540 - www.gai-tronics.com

GAI-Tronics S.r.l., Italy - Tel: +39 02 48601 460 - Fax: +39 02 4585 625

GAI-Tronics Corporation, Malaysia - Tel: +60 3 6277 6091 - Fax: +60 3 6277 6093

An ISO9001 Registered Company

The policy of GAI-Tronics is one of continuous improvement, therefore the company reserves the right to change specifications without notice.

B024-4-0101B/CN18197